



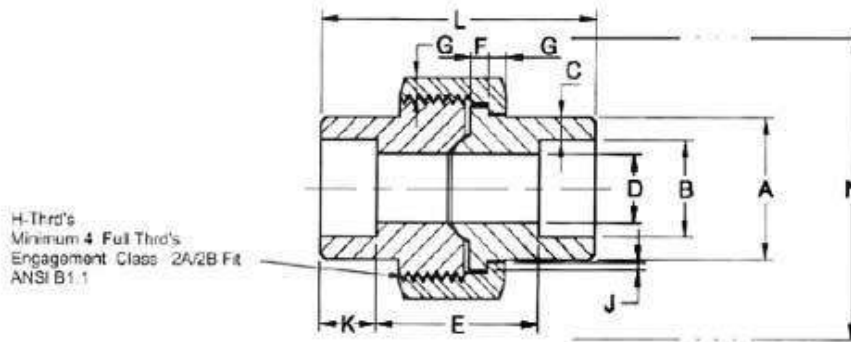
RAJENDRA  
PIPING &  
FITTING

MSS SP 83 UNION

**One Of India's Largest Manufacturer Of MSS-SP-83  
Socket Weld And Threaded Union.**

## MSS-SP-83 Socket Weld Union Dimensions

Socket Weld End MSS-SP-83-2006

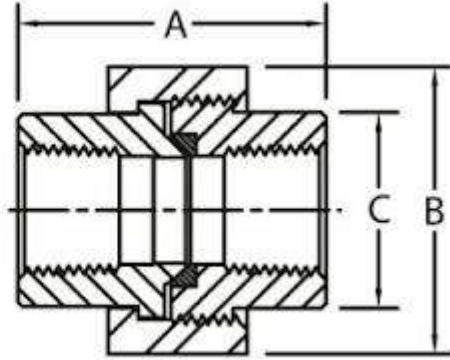


Nom. Pipe Size	Pipe End (Min.) A	Socket Bore Dia. B	Socket Wall (Min.) C	Water Way Bore D	Laying Length E	Male Flange (Min.) F	Nut (Min.) G	Threads Per 25.4mm H	Bearing (Min.) J	Depth of Socket (Min.) K	Length Assem. Nom. L	Clear Assem. Nut N
1/8"	21.8	11.18 10.67	3.18	7.59 6.07	22.4 19.1	3.18	3.18	16	1.24	9.7	41.4	50.8
1/4"	21.8	14.61 14.10	3.30	10.01 8.48	22.4 19.1	3.18	3.18	16	1.24	9.7	41.4	50.8
3/8"	25.9	18.03 17.53	3.51	13.28 11.76	26.9 20.6	3.43	3.43	14	1.37	9.7	46.0	55.9
1/2"	31.2	22.23 21.73	4.09	16.56 15.04	26.9 20.6	3.68	3.68	14	1.50	9.7	49.0	58.4
3/4"	37.1	27.56 27.05	4.27	21.69 20.17	31.8 25.4	4.06	4.06	11	1.68	12.7	56.9	66.0
1"	45.5	34.29 33.78	4.98	27.41 25.88	34.3 26.2	4.57	4.45	11	1.85	12.7	62.0	78.7
1-1/4"	54.9	43.05 42.55	5.28	35.81 34.29	40.6 32.5	5.33	5.21	11	2.13	12.7	71.1	94.0
1-1/2"	61.5	49.15 48.64	5.54	41.66 40.13	42.2 34.0	5.84	5.59	10	2.31	12.7	76.5	111.8
2"	75.2	61.62 61.11	6.05	53.26 51.74	45.5 37.3	6.60	6.35	10	2.69	15.7	86.1	132.1
2-1/2"	91.7	74.45 73.81	7.67	64.24 61.19	61.7 52.1	7.49	7.11	8	3.07	15.7	102.4	149.9
3"	109.2	90.42 89.79	8.31	79.45 76.40	63.8 53.6	8.26	8.00	8	3.53	15.7	109.0	175.3

(1) Dimensions in Millimeters.

(2) Upper and lower values for each size are the respective maximum and minimum dimensions.

## Check MSS-SP-83 Threaded Union Dimensions



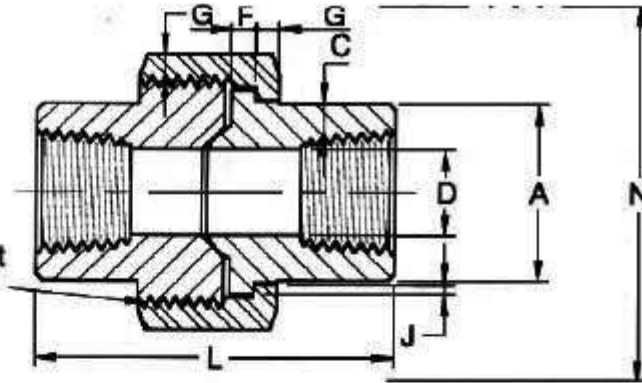
MSS-SP-83 THREADED UNION DIMENSIONS

Nom. Pipe Size	Pipe End Min	Socket Bore Dia.	Socket Wall Min.	Water Way Bore	Laying Length	Male Flange Min.	Nut Min.	Threads Per 25.4 Max	Bearing Min.	Depth of Socket Min.	Length of Assem. Nominal	Clear of Assem. Nut
	A	B	C	D	E	F	G	H	J	K	L	N
1/8	21.8	10.92	3.17	6.83	22.4	3.17	3.17	16	1.24	9.6	41.1	49.0
		10.67		6.43	19.0							
1/4	21.8	14.22	3.30	9.85	22.4	3.17	3.17	19	1.24	9.6	41.4	49.0
		13.97		9.45	19.0							
3/8	25.9	17.78	3.48	13.92	26.9	3.43	3.43	14	1.37	9.6	46.0	55.0

		17.53		13.51	20.6							
½	31.2	21.84 21.59	4.06	17.47 17.07	26.9 20.6	3.68	3.68	14	1.50	9.6	49.0	57.0
¾	37.1	27.18 26.92	4.27	21.79 21.39	31.8 25.4	4.06	4.06	11	1.68	12.7	56.9	67.0
1	45.5	34.04 33.78	4.95	28.14 27.74	34.3 26.2	4.57	4.44	11	1.85	12.7	62.0	79.0
1 1/4	54.9	42.67 42.42	5.28	35.76 35.36	40.6 32.5	5.33	5.21	11	2.13	12.7	71.1	94.0
1 1/2	61.5	48.77 48.51	5.54	41.61 41.20	42.2 34.0	5.84	5.59	10	2.31	12.7	75.5	111.0
2	75.2	61.47 61.21	6.05	52.53 52.12	45.3 37.3	6.60	6.35	10	2.69	15.8	86.1	132.0
2 1/2	91.7	74.17 73.66	7.65	64.72 64.31	61.7 52.1	7.49	7.11	8	3.07	15.8	102.4	148.0
3	109.2	90.17 89.66	8.31	77.67 77.27	63.8 53.6	8.25	8.00	8	3.53	15.8	109.0	175.0

## MSS SP-83 Union Weight Chart

H-Thrd's  
Minimum 4 Full Thrd's  
Engagement Class 2A/2B Fit  
ANSI B1.1



Nom. Pipe Size	Pipe End	Wall	Water Way Bore	Male Flange	Nut	Threads Per 25.4mm	Bearing	Length Assem. Nom.	Clear Assem. Nut
	Min. A	Min. C	D	Min. F	Min. G	Max. H	Min. J	L	N
1/8"	14.7	2.41	8.43 6.43	3.18	3.18	16	1.24	41.4	50.8
1/4"	19.0	3.02	11.13 9.45	3.18	3.18	16	1.24	41.4	50.8
3/8"	22.9	3.20	14.27 13.51	3.43	3.43	14	1.37	46.0	55.9
1/2"	27.7	3.73	17.86 17.07	3.68	3.68	14	1.50	49.0	58.4
3/4"	33.5	3.91	23.01 21.39	4.06	4.06	11	1.68	56.9	66.0
1"	41.4	4.55	28.98 27.74	4.57	4.45	11	1.85	62.0	78.7
1-1/4"	50.5	4.85	37.69 35.36	5.33	5.21	11	2.13	71.1	94.0
1-1/2"	57.2	5.08	43.54 41.20	5.84	5.59	10	2.31	76.5	111.8
2"	70.1	5.54	55.58 52.12	6.60	6.35	10	2.69	86.1	132.1
2-1/2"	85.3	7.01	66.27 64.31	7.49	7.11	8	3.07	102.4	149.9
3"	102.4	7.62	88.25 77.27	8.26	8.00	8	3.53	109.0	175.3

(1) Dimensions in Millimeters.

(2) Upper and lower values for each size are the respective maximum and minimum dimensions.

## MSS-SP-83 Union Threaded Pressure Rating

MSS-SP-83 Union					
Temperature		Class 150	Class 300		
			1/4 - 1 inch	1 1/4 - 2 inch	2 1/2 - 3 inch
(oF)	(oC)				
-20 to 150	-29 to 66	300	2000	1500	1000
200	93	265	1785	1350	910
250	121	225	1575	1200	825
300	149	185	1360	1050	735
350	177	150	1150	900	650
400	204	-	935	750	560
450	232	-	725	600	475
500	260	-	510	450	385
550	288	-	300	300	300

